

## GM57 Thin Sheet Nutsert

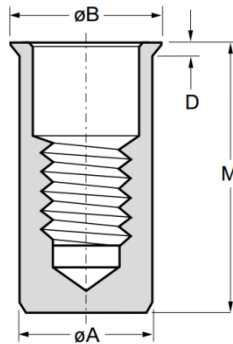
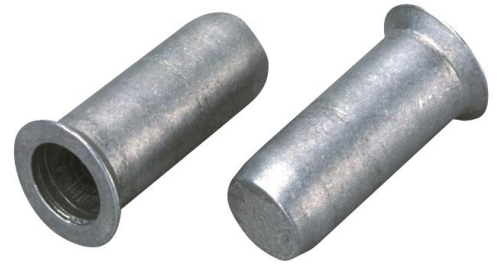
Aluminium · Countersunk · Round · Closed end  
M4 - M8

### Features

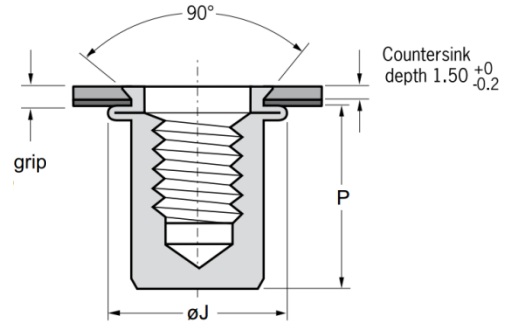
- Designed to provide load bearing threads in thin sheet materials
- Countersunk head flush installation and clamp up
- Closed end prevents the ingress of dirt and fluids into thread and electrical circuits

### Material

- Aluminium alloy 5052 (2.5% Mg), natural



Before Placement



After Placement

Part No.	Thread Size	Grip Range		Hole Size	øA	øB	D	øJ	M	P
		min.	max.	+0.1 / -0	max.	+0 / -0.4	+0.3 / -0.1	max.	±0.35	max.
0GM57-00435	M4 x 0.7	1.70	3.50	6.10	6.00	9.00	1.50	8.10	15.50	10.80
0GM57-00450		3.50	5.00						17.00	
0GM57-00540	M5 x 0.8	1.70	4.00	7.00	7.00	10.00	1.50	9.60	18.00	14.30
0GM57-00565		4.00	6.50						20.50	
0GM57-00645	M6 x 1.0	1.70	4.50	9.10	9.00	12.00	1.50	12.10	22.00	17.50
0GM57-00665		4.50	6.50						24.00	
0GM57-00845	M8 x 1.25	1.70	4.50	11.10	11.00	14.00	1.50	14.50	25.00	19.00
0GM57-00865		4.50	6.50						28.00	

Thread Size	Max. torque	Pull-out	Torque-to-turn	Push-out
	Nm max.	kN	Nm min.	kN
M4 x 0.7	4.0	4.7	1.7	1.9
M5 x 0.8	5.3	6.3	2.2	2.6
M6 x 1.0	10.8	10.1	4.7	3.4
M8 x 1.25	23.0	11.7	7.8	3.7